



1806 SERIES VAPOR-PROOF COMPACT FLUORESCENT LIGHT FIXTURE MEETS FEDERAL ENERGY REGULATIONS FOR WALK-INS

- GU-24 socket provides sustainable, energy efficient alternative to standard incandescent walk-in fixtures.
- Proven self-ballasted compact fluorescent technology provides an economical solution to satisfy new federal energy reduction mandate for 2009.
- 26W fluorescent fulfills Energy Act requirement of 40 lumens per watt.
- Compact fluorescent lamp uses about 75% less energy than incandescent 100W bulb and lasts up to 10 times longer.
- Connects with standard electrical wiring.
- Available with clear polycarbonate or coated glass globe.
- Model No. 1806-10 retrofits to existing Kason No. 1802LG, 1803LG and 1804LG junction boxes.
- Meets NSF and UL requirements.

SPECIFICATIONS

MATERIAL:
Die-cast aluminum box, housing and plugs. Clear polycarbonate or coated glass globe.

ELECTRICAL:
GU-24 base accepts one lamp, 13W to 26W maximum, 120 VAC. Ground screw provided. Accepts standard wiring.

LAMP:
26W, 10,000 Hr. life, +60 lumens per watt, 2700K. See Light Distribution table on following page.

TEMPERATURE RATINGS:
Supply lead 140° F (60° C) minimum. Instant start at -20° F (-29° C), 3 minutes to full luminescence.

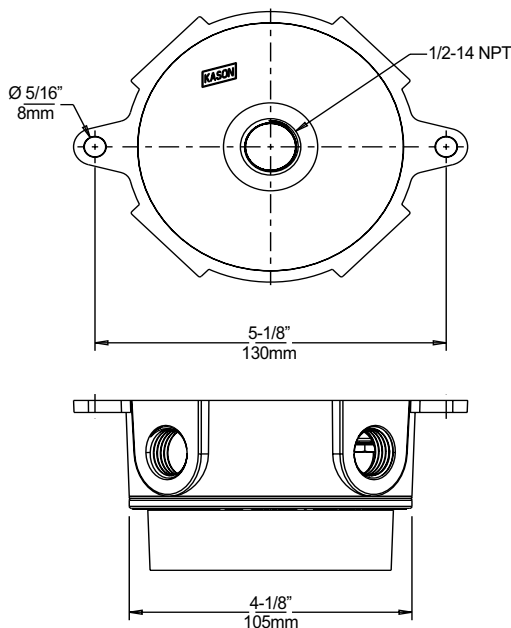
MOUNTING:
Surface mounts with two tabs drilled for mounting screws. Five conduit ports accept 1/2" (13mm) or 3/4" (19mm) pipe thread. Four threaded plugs supplied to seal unused conduit openings.

SAFETY STANDARDS:
NSF component.
UL listed US and Canada, File Nos. E213129 & E317316.

OTHER:
Suitable for wet locations. Fully gasketed and enclosed to minimize effects of temperature extremes.

Order fixtures and lamps separately. See Ordering Information on following page.

ITEM # 1806
GREENGUARD



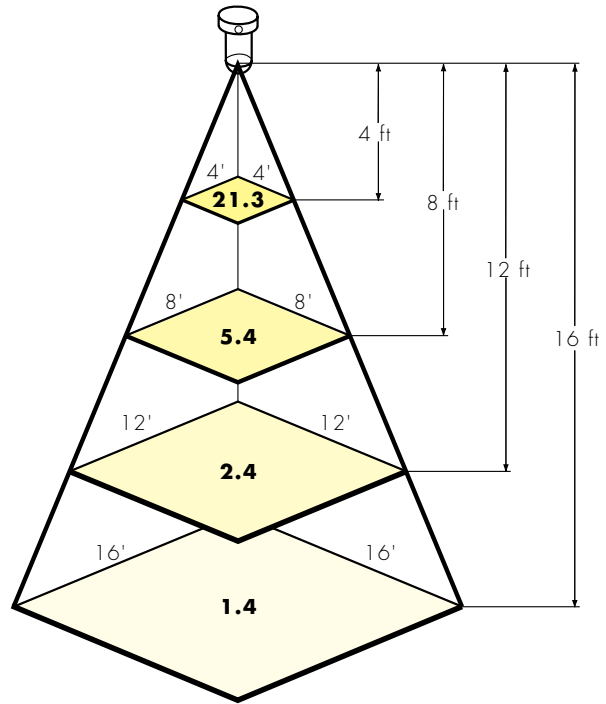
1806-10 RETROFIT KIT

- Converts existing Kason 1802LG, 1803LG and 1804LG fixtures to accept 26W compact fluorescent lamp.
- Kit includes housing, GU-24 socket, gaskets and mounting hardware.



1806 SERIES LIGHT DISTRIBUTION

LIGHT DISTRIBUTION FOR 1806 & 1807					
Height in Feet	Average FC for Single Fixture Over Indicated Area				
	4' x 4'	8' x 8'	12' x 12'	16' x 16'	20' x 20'
4	21.3	15.8	11.7	8.9	7.0
5	14.4	11.5	9.0	7.1	5.7
6	10.3	8.7	7.1	5.8	4.8
7	7.8	6.8	5.7	4.8	4.0
8	6.0	5.4	4.7	4.0	3.4
9	4.8	4.4	3.9	3.4	3.0
10	3.9	3.6	3.3	2.9	2.6
11	3.3	3.1	2.8	2.5	2.2
12	2.7	2.6	2.4	2.2	2.0
13	2.4	2.2	2.1	1.9	1.8
14	2.0	2.0	1.8	1.7	1.6
15	1.8	1.7	1.6	1.5	1.4
16	1.6	1.5	1.4	1.4	1.3
17	1.4	1.3	1.3	1.2	1.1
18	1.2	1.2	1.2	1.1	1.0
19	1.1	1.1	1.0	1.0	1.0
20	1.0	1.0	1.0	0.9	0.9



1806 SERIES ORDERING INFORMATION

Model No.	Item	Quantity/Weight per Carton
1806LG0000	Fixture with Lexan Globe & 1/2" NPT	Twenty-five/49 lb. (22kg)
1807LG0000	Fixture with Coated Glass Globe & 1/2" NPT	Twenty-five/69 lb. (31kg)
1806000010	Retrofit Kit for 1802LG, 1803LG & 1804LG Fixtures	Fifty/20 lb. (9kg)
1806LG0003	Junction Box for 1806LG & 1807LG	Twenty-five/25 lb. (11kg)
1806LG0004	Junction Box for 1806LG & 1807LG with 3/4" NPT	Twenty-five/25 lb. (11kg)
1806LG0034	Fixture with Lexan Globe & 3/4" NPT	Twenty-seven/53 lb. (24kg)
1806SC2627	26W SB CFL Lamp	Forty-eight/14 lb. (6kg)

