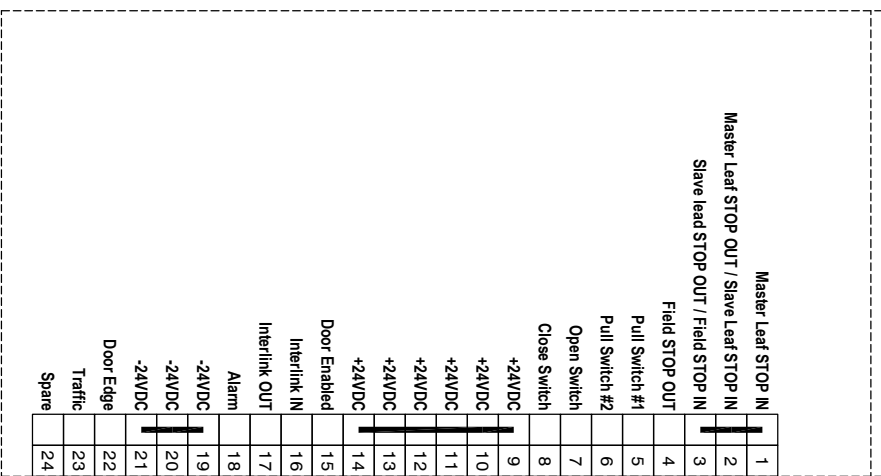
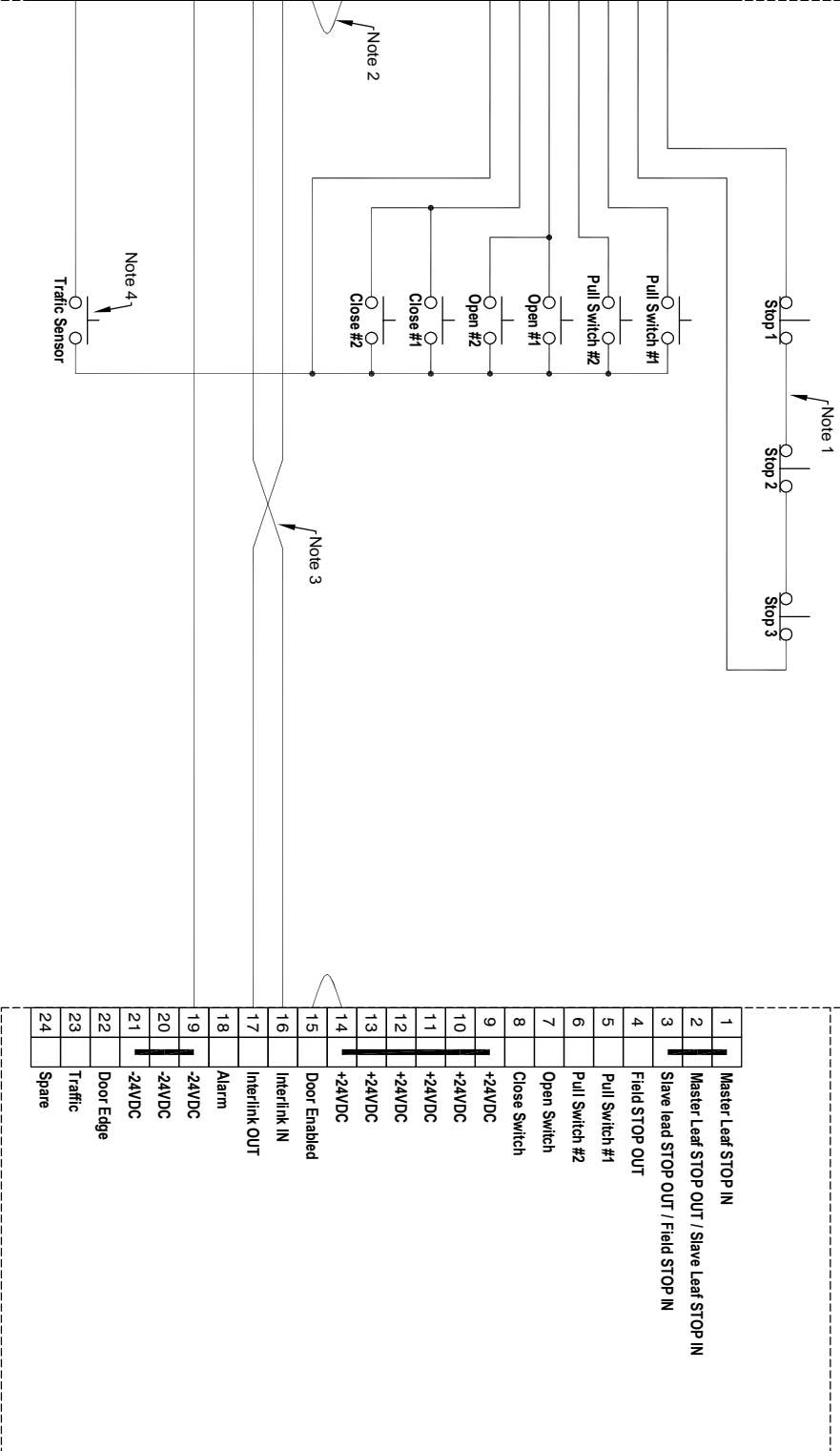


## Control Panel

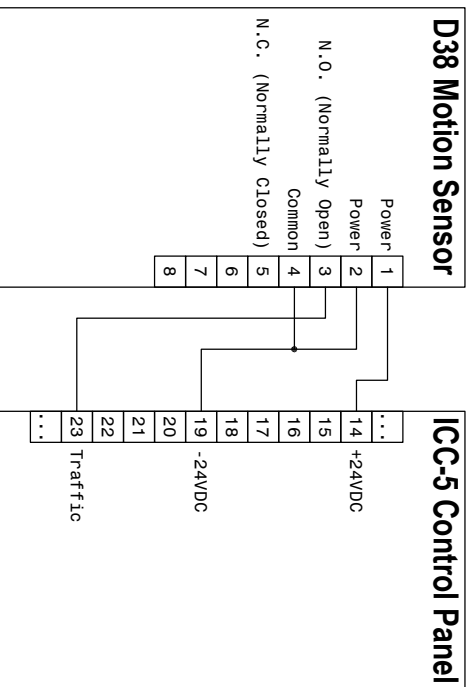


## Control Panel of another door in the same room



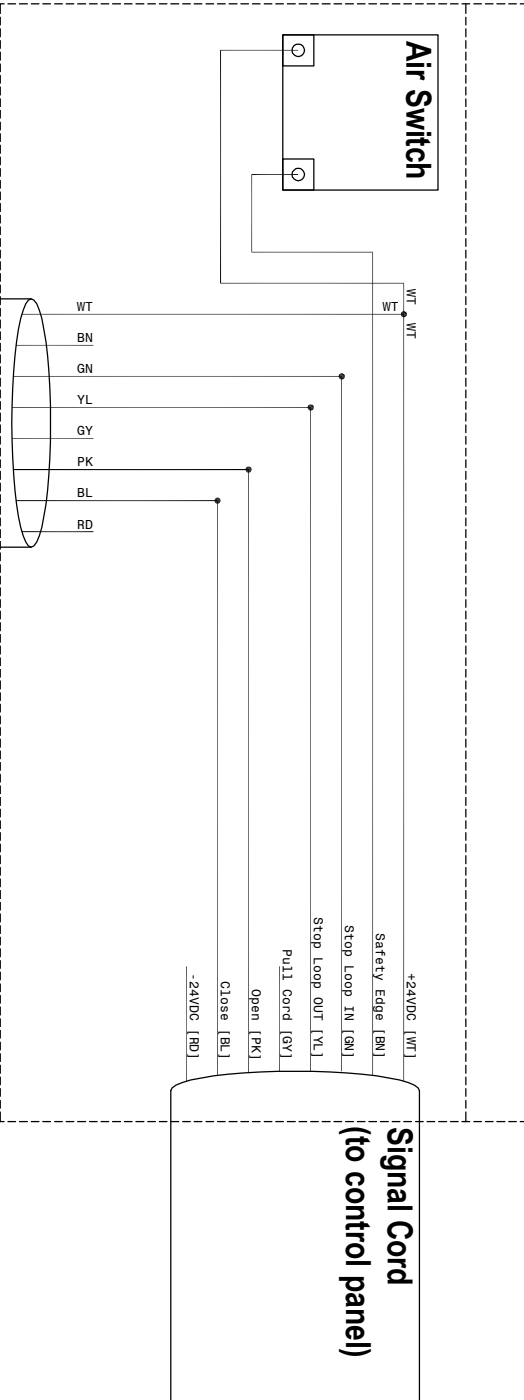
- NOTES:**
- 1-When using Stop switches, remove/cut jumper located over control panel terminal blocks 3 and 4
  - 2-Remove cable jumper located between control panel terminal blocks 14 and 15 to use the Door Enable signal.
  - 3-Only (2) doors can be interlinked together. External relays by others must be used to interlock more than (2) doors. -24VDC connection is required between both control panels.
  - 4-Traffic sensor may be a photo-eye, a magnetic loop, a motion sensor, etc. Sensor must have a normally open dry contact. Sensors provided by R-Plus Doors may be powered using 24VDC power available in control panel.

## 1 - ICC-5 Door / External Wiring / Generic



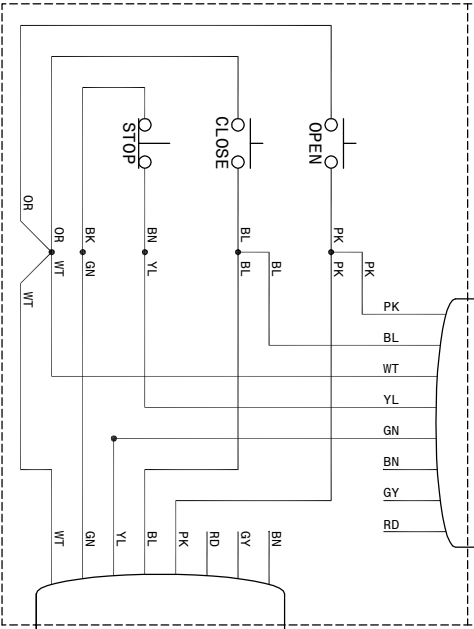
**2 - ICC-5 Door / External Wiring / D38 Motion Sensor**

**Door leaf Junction Box**

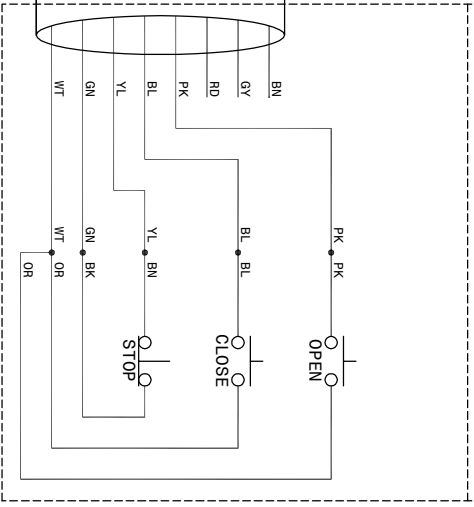


**NOTE: REMOVE JUMPER BETWEEN CONTROL PANEL TERMINAL BLOCKS 1 AND 2**

**3-Button Station (Exterior)**

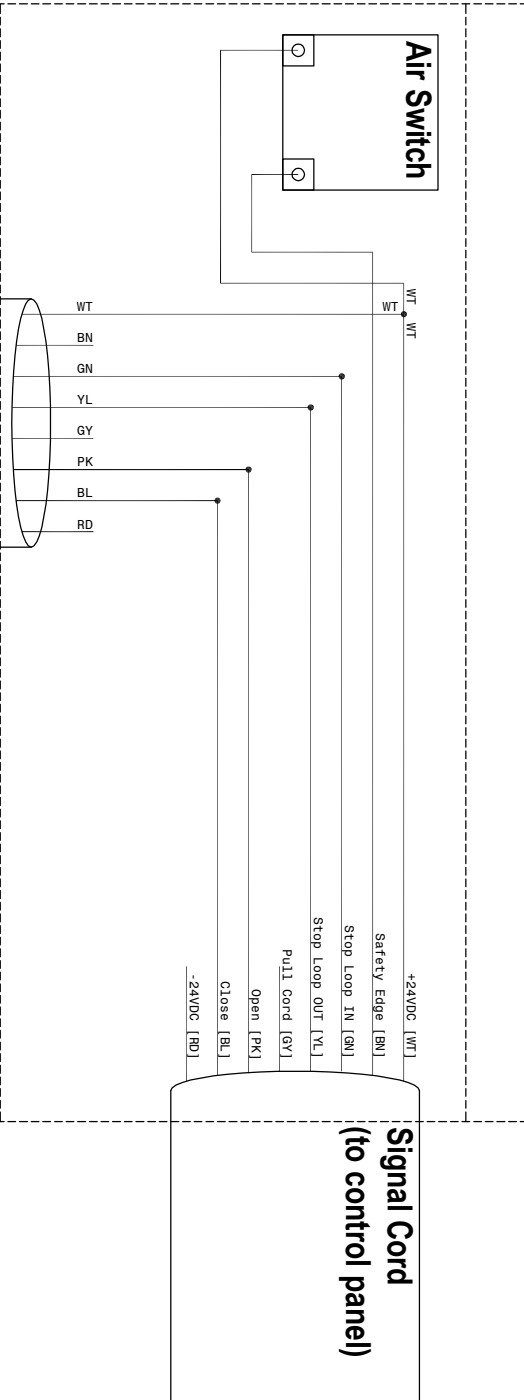


**3-Button Station (Interior)**



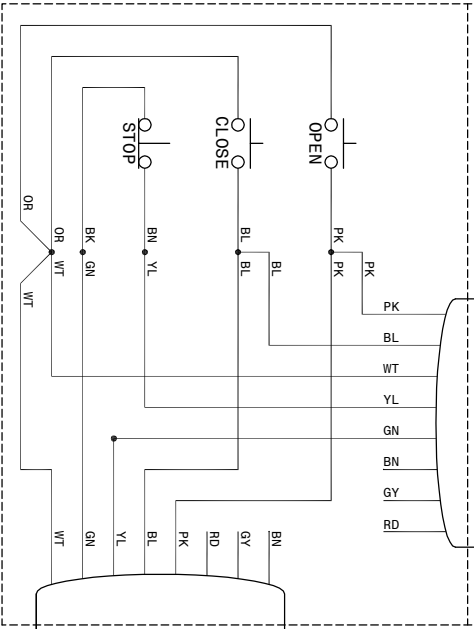
**3 - ICC-5 Door / Master Leaf / (2) 3-button Stations**

**Door leaf Junction Box**

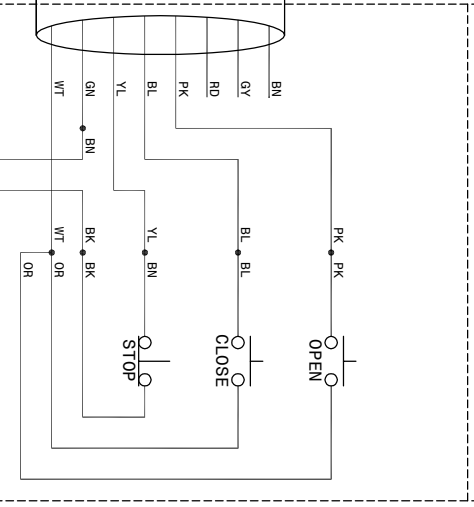


**NOTE: REMOVE JUMPER BETWEEN CONTROL PANEL TERMINAL BLOCKS 1 AND 2**

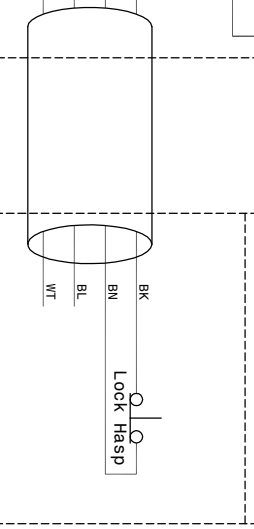
**3-Button Station (Exterior)**



**3-Button Station (Interior)**

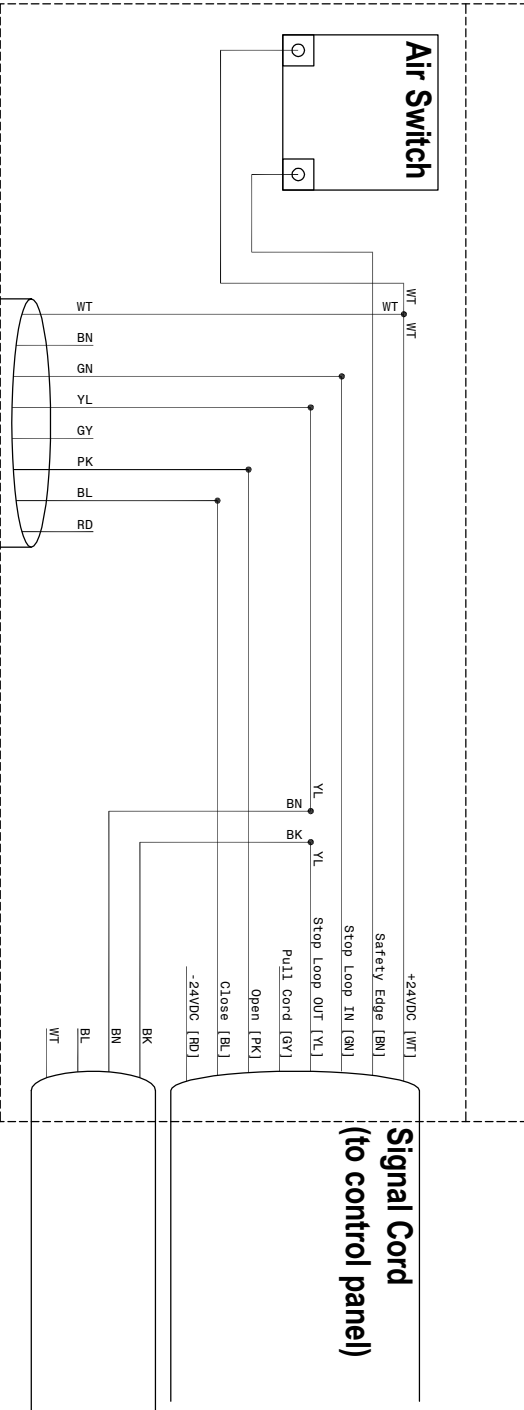


**Lock Hasp (Exterior)**



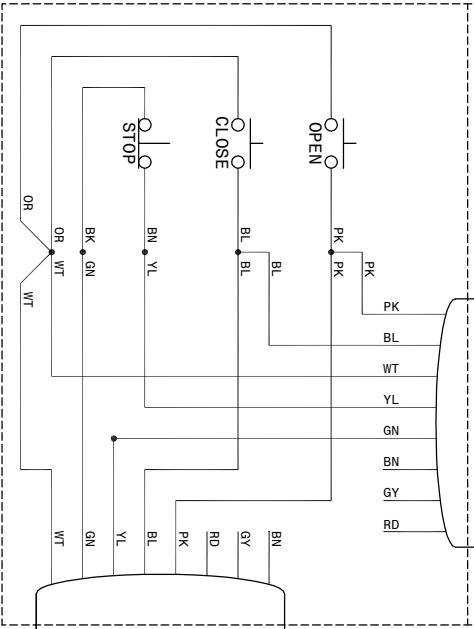
**4 - ICC-5 Door / Internal Wiring / Master Leaf / (2) 3-button Stations & (1) Lock Hasp**

**Door leaf Junction Box**

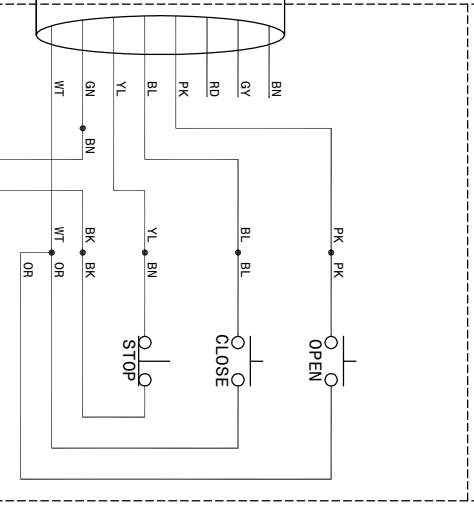


**NOTE: REMOVE JUMPER BETWEEN CONTROL PANEL TERMINAL BLOCKS 1 AND 2**

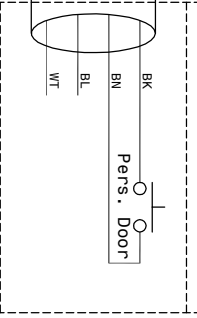
**3-Button Station (Exterior)**



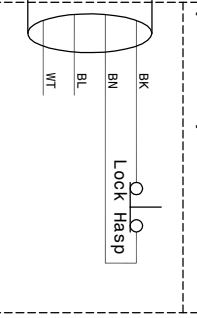
**3-Button Station (Interior)**



**Personnel Door (Exterior)**

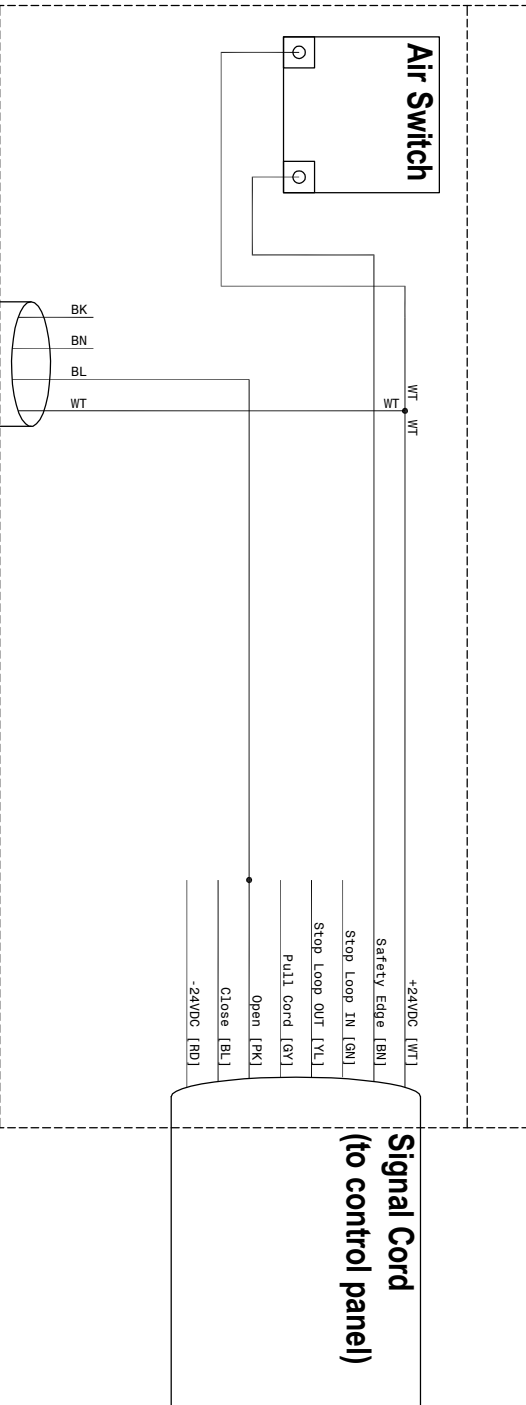


**Lock Hasp (Exterior)**

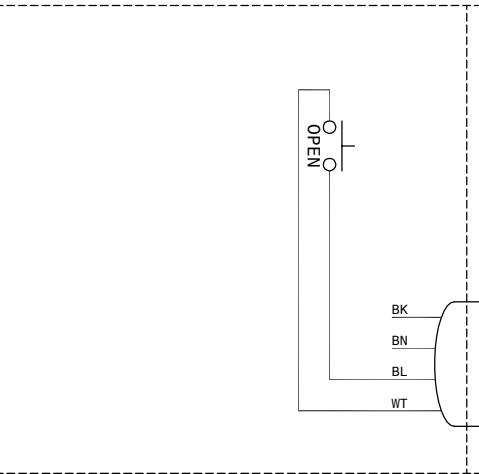


**5 - ICC-5 Door / Internal Wiring / Master Leaf / (2) 3-button Stations & (1) Lock Hasp & (1) Personnel Door**

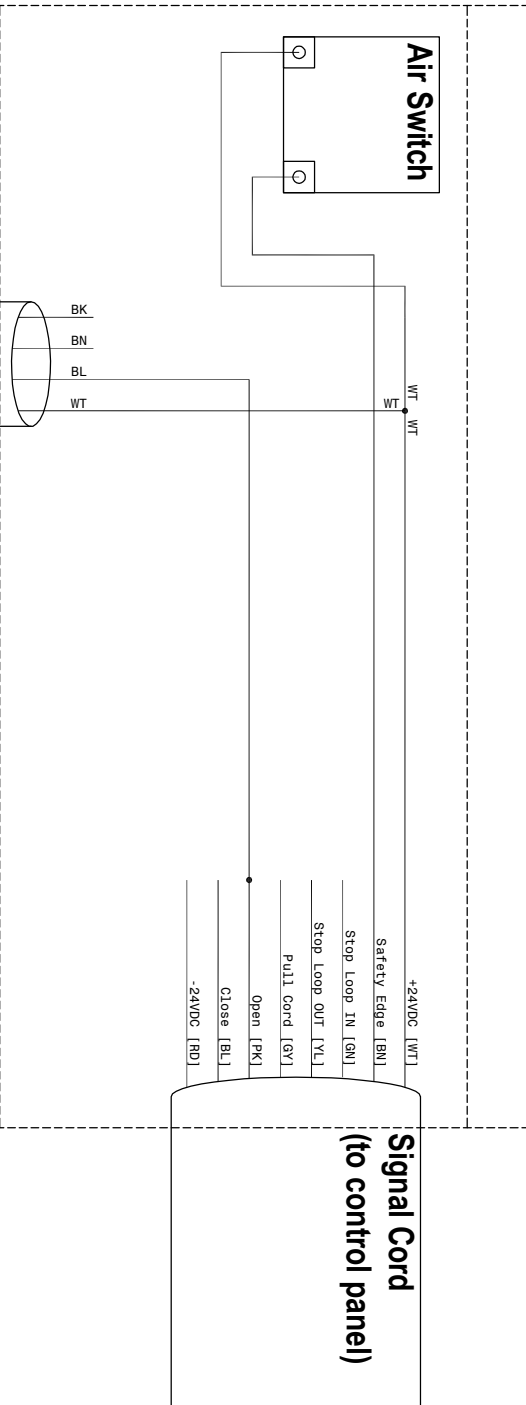
**Door leaf Junction Box**



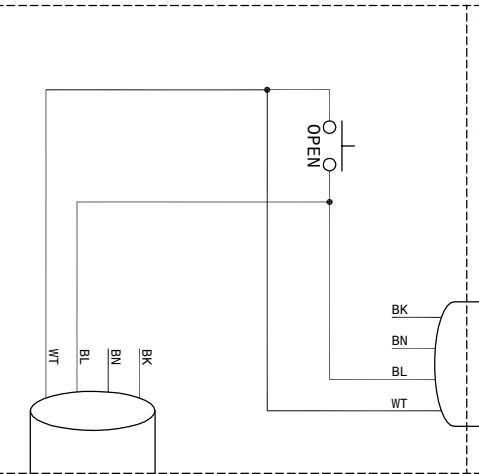
**Open Switch  
(Exterior Or Interior)**



**Door leaf Junction Box**



**Open Switch  
(Exterior)**



**Open Switch  
(Interior)**

