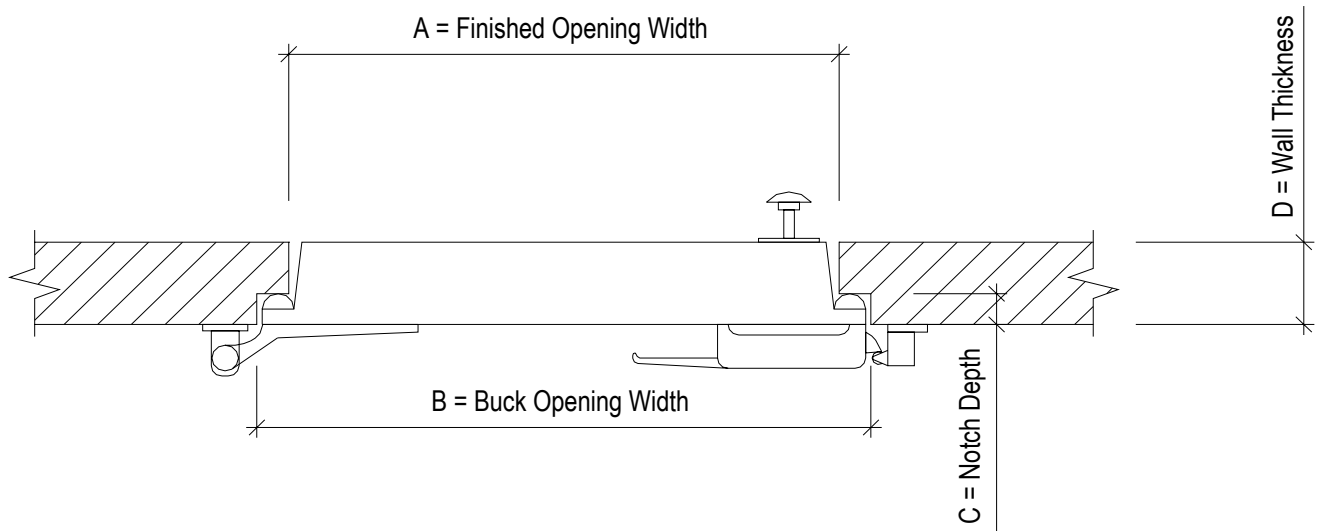


Before

Remove existing door and frame.

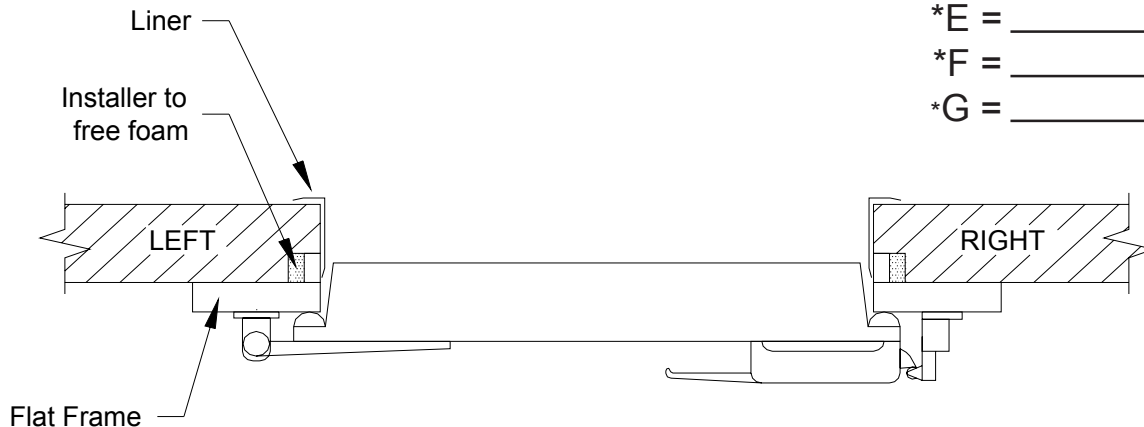


After

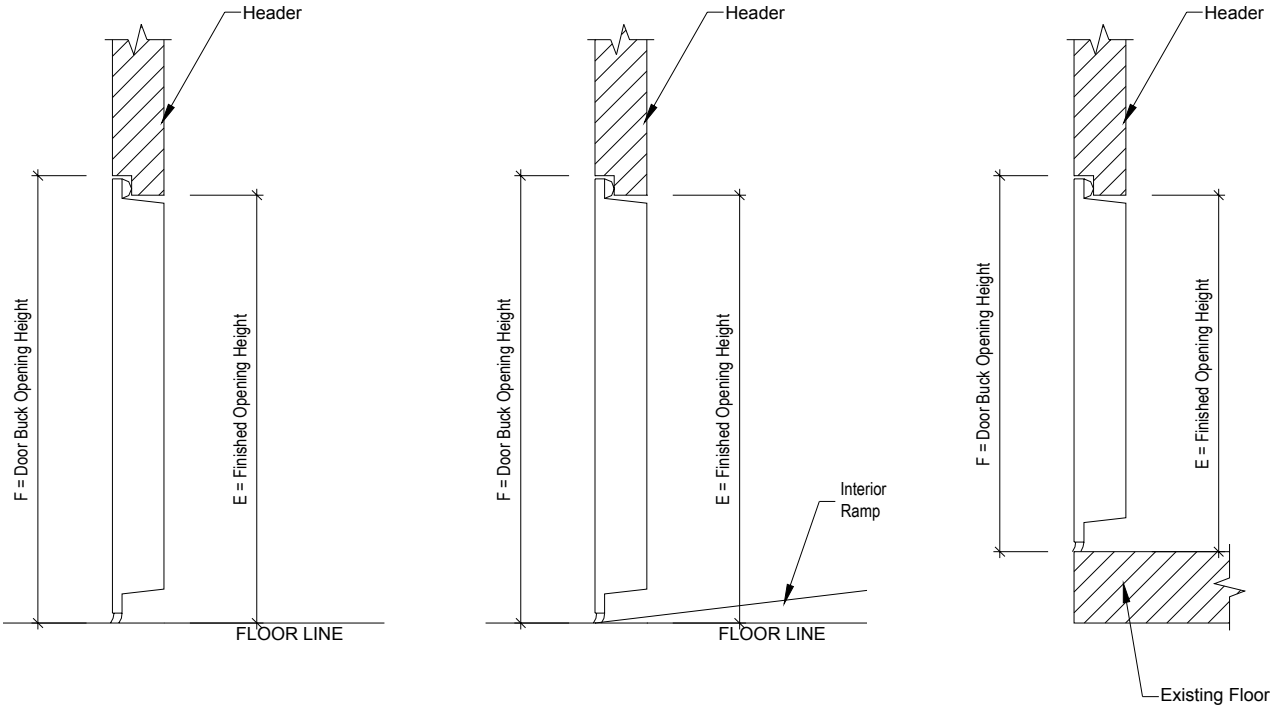
Install new frame and door.
Specify hinge side from
OUTSIDE of walk-in.
(Left hinge shown)

Provide measurements:

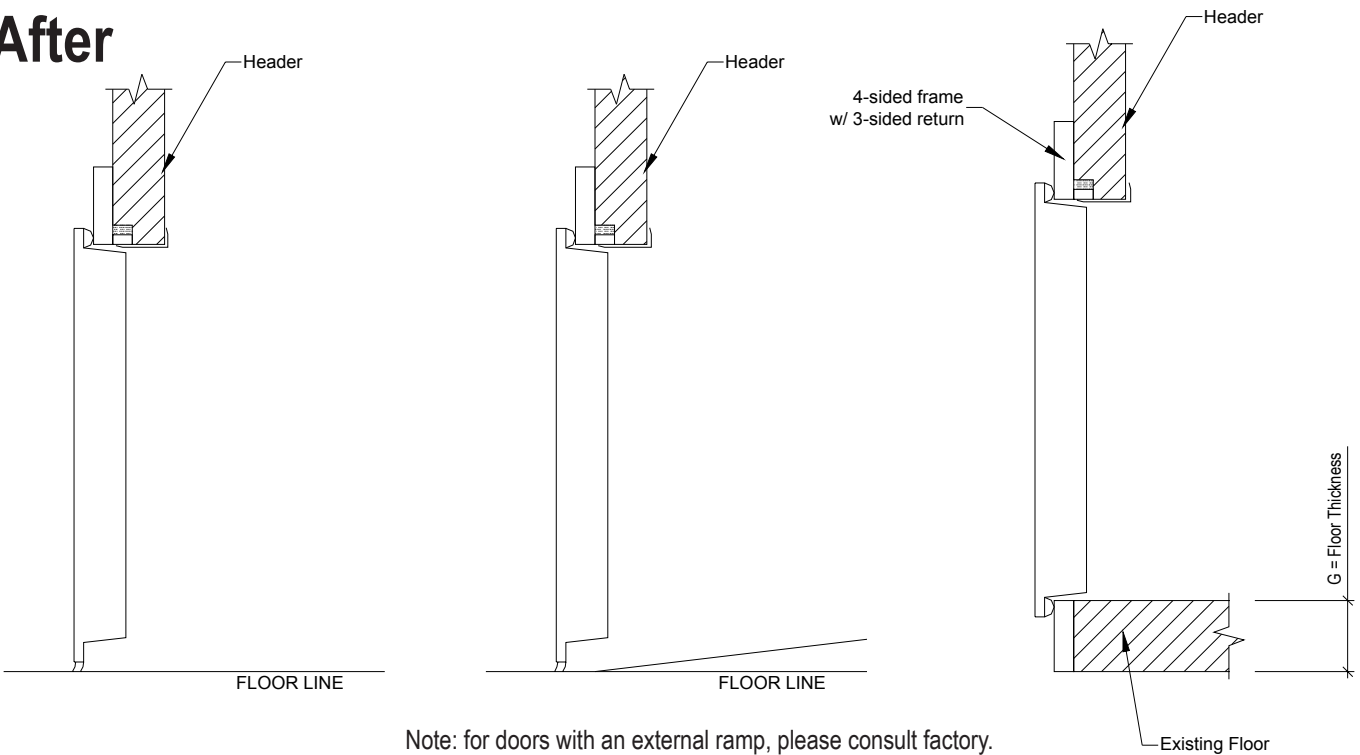
- A = _____
- B = _____
- C = _____
- D = _____
- *E = _____
- *F = _____
- *G = _____



Before



After



Note: for doors with an external ramp, please consult factory.