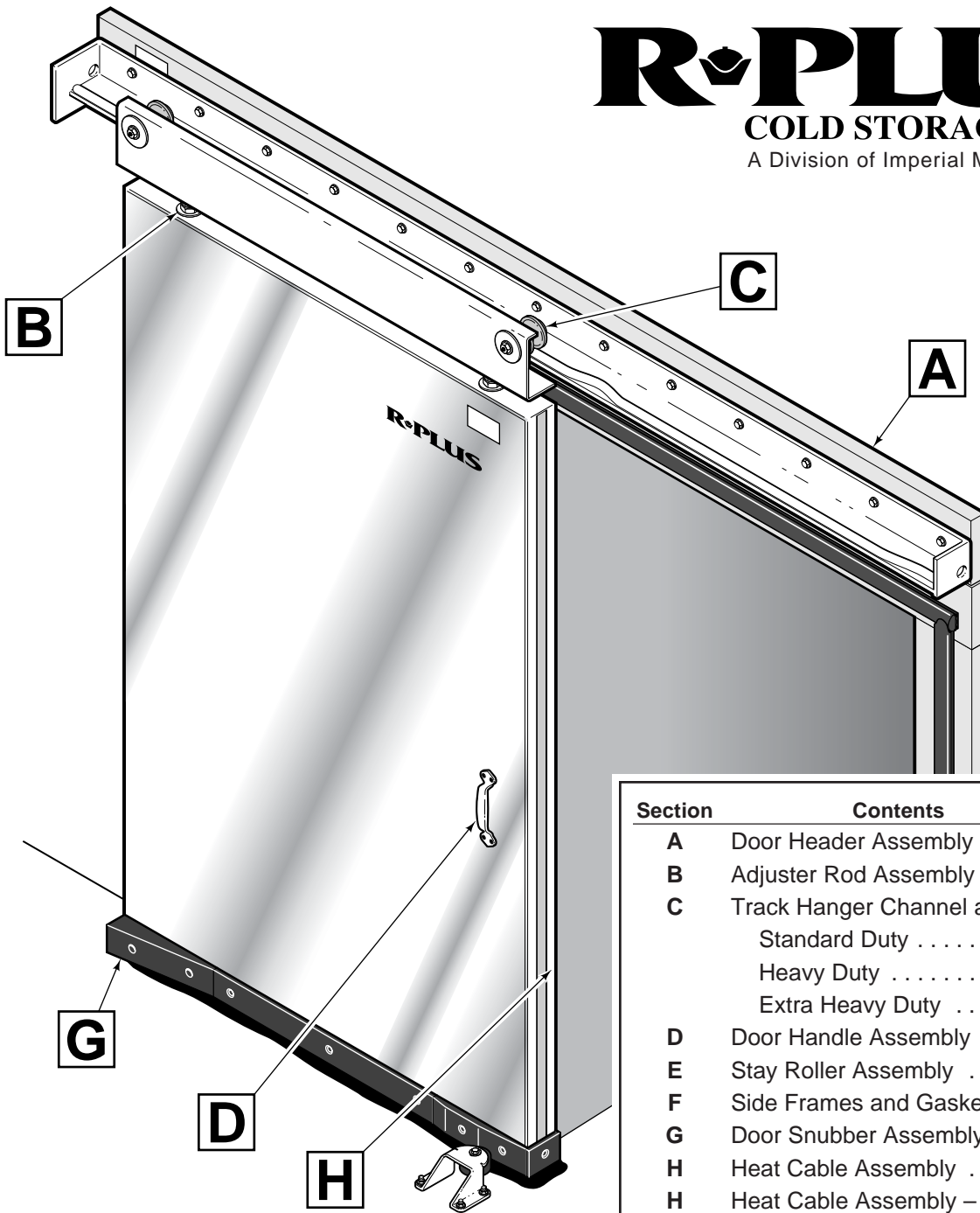


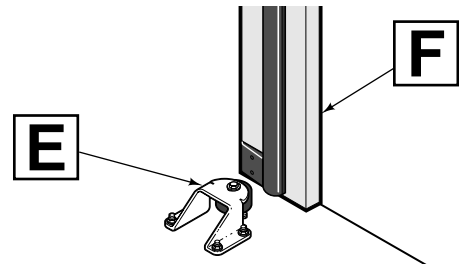
R-PLUS

COLD STORAGE DOORS

A Division of Imperial Manufacturing, Inc.



Section	Contents	Page
A	Door Header Assembly	3
B	Adjuster Rod Assembly	4
C	Track Hanger Channel and Rollers	
	Standard Duty	5
	Heavy Duty	6
	Extra Heavy Duty	7
D	Door Handle Assembly	8
E	Stay Roller Assembly	9
F	Side Frames and Gasket	10
G	Door Snubber Assembly	11
H	Heat Cable Assembly	12
H	Heat Cable Assembly – Rapid Repl	13



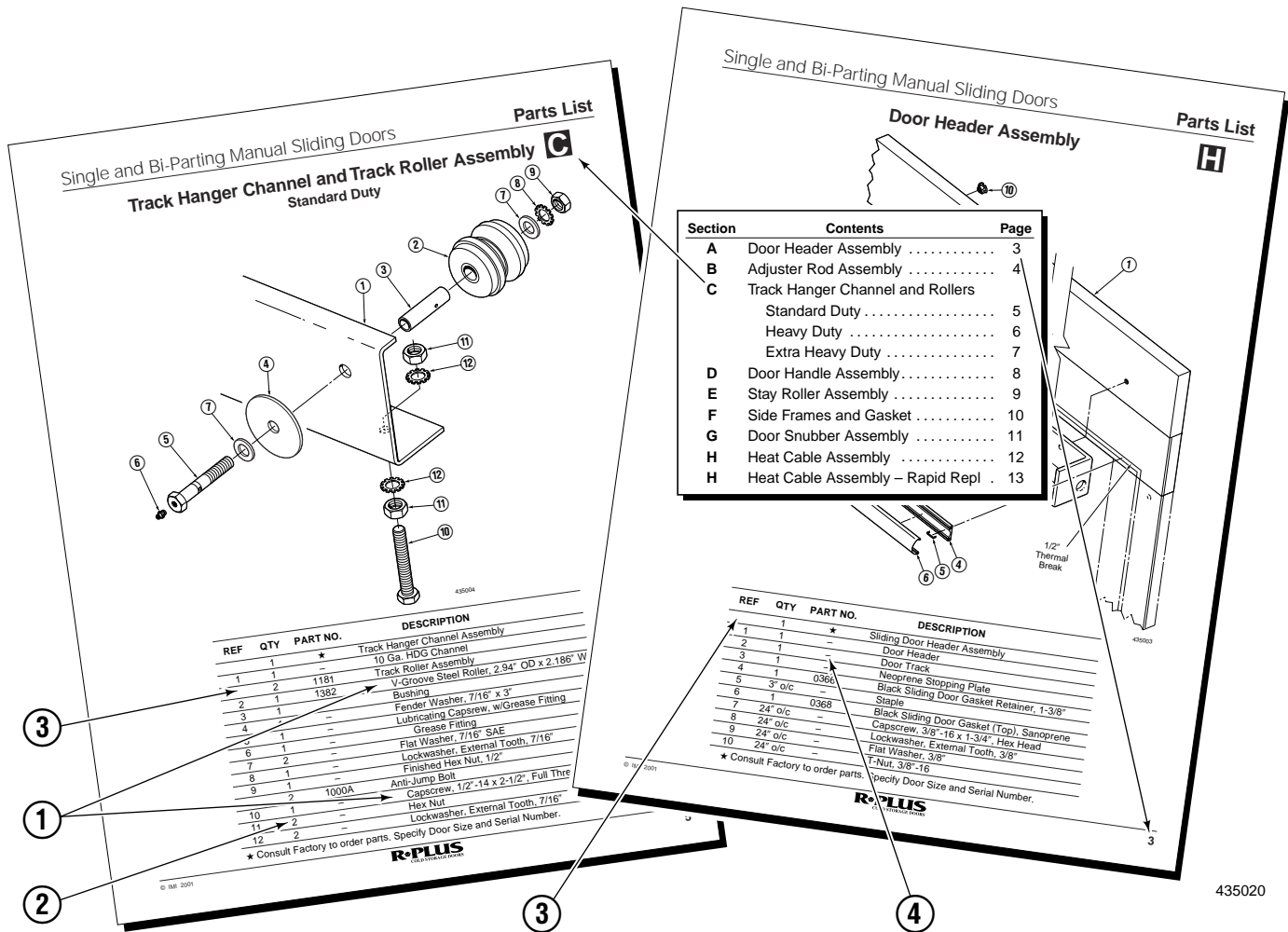
R-PLUS Cold Storage Doors

A Division of Imperial Manufacturing, Inc.

2271 NE 194th • Portland, Oregon 97230

Toll Free (800) 238-4093 • Phone (503) 665-5539 • Fax (503) 665-2929

How to use this Manual



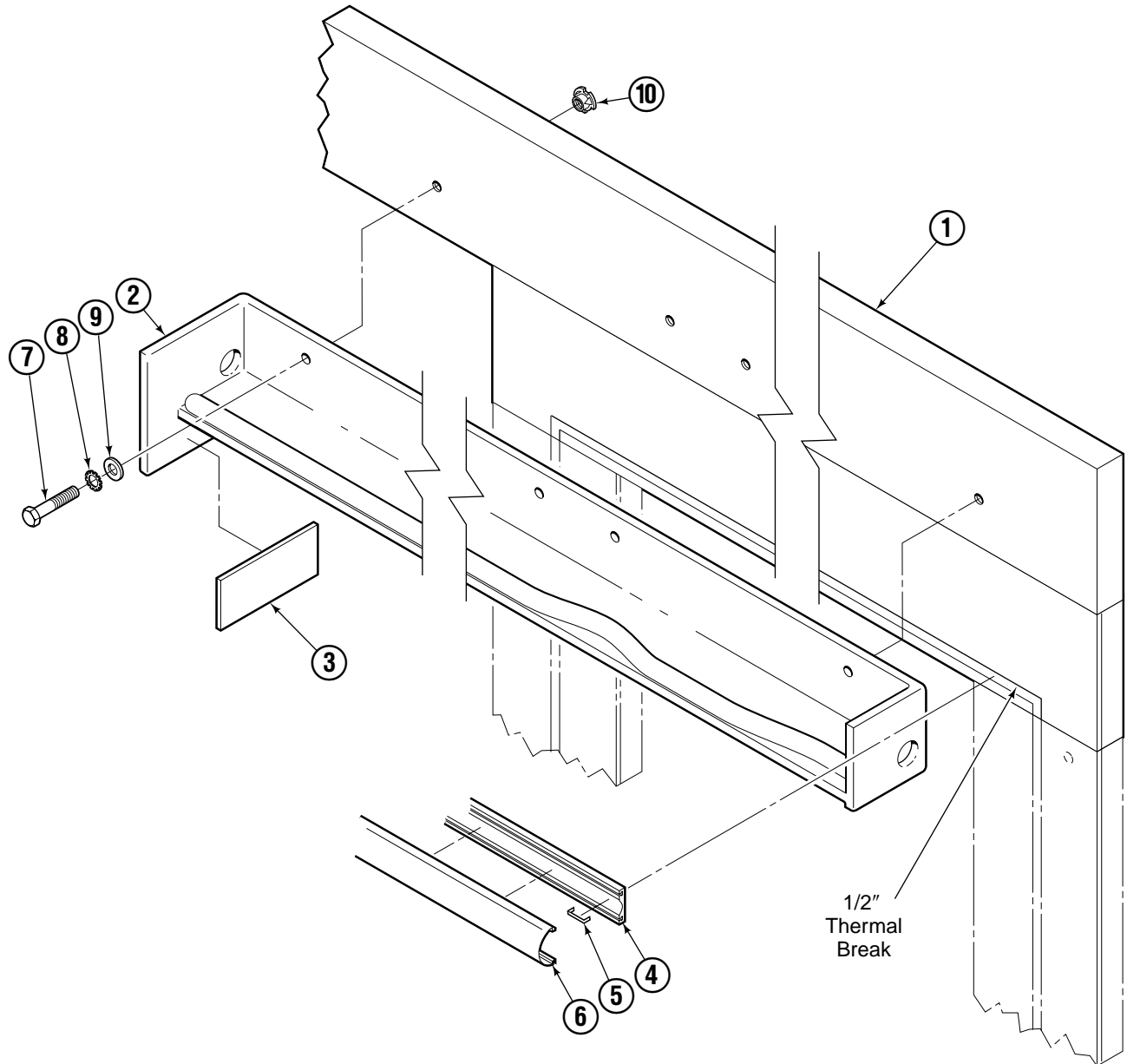
Use the front cover illustration as a guide to the sections contained in the parts manual.

This manual is intended to include replacement parts for both Single and Bi-Parting Manual Sliding Doors produced by R-PLUS Cold Storage Doors, a division of Imperial Manufacturing.

1. These part lists contain some parts which may be ordered as assemblies. In the Description column, the assemblies have their sub-parts indented under them. The entire assembly can be ordered with a single part number for the assembly. Sub-parts can be ordered individually with their own part numbers.
2. Quantities listed for sub-parts are for *one* complete assembly. Note that when two or more assemblies are shown, the quantities of the sub-parts are still indicated as those necessary for *one* assembly.
3. When a Part Number and Description appears with no Reference number, this means the part or assembly has not been illustrated.
4. When a Reference number and Description appears with no Part Number, the part is either not available, or available only as a sub-part of a larger assembly.
5. When ordering parts, specify Part Number, Description and quantity desired. In some cases, it may be necessary to provide the Door Serial Number, size, or finish. In *all* cases, it is *beneficial* to provide the Serial Number of the Door.

Door Header Assembly

A



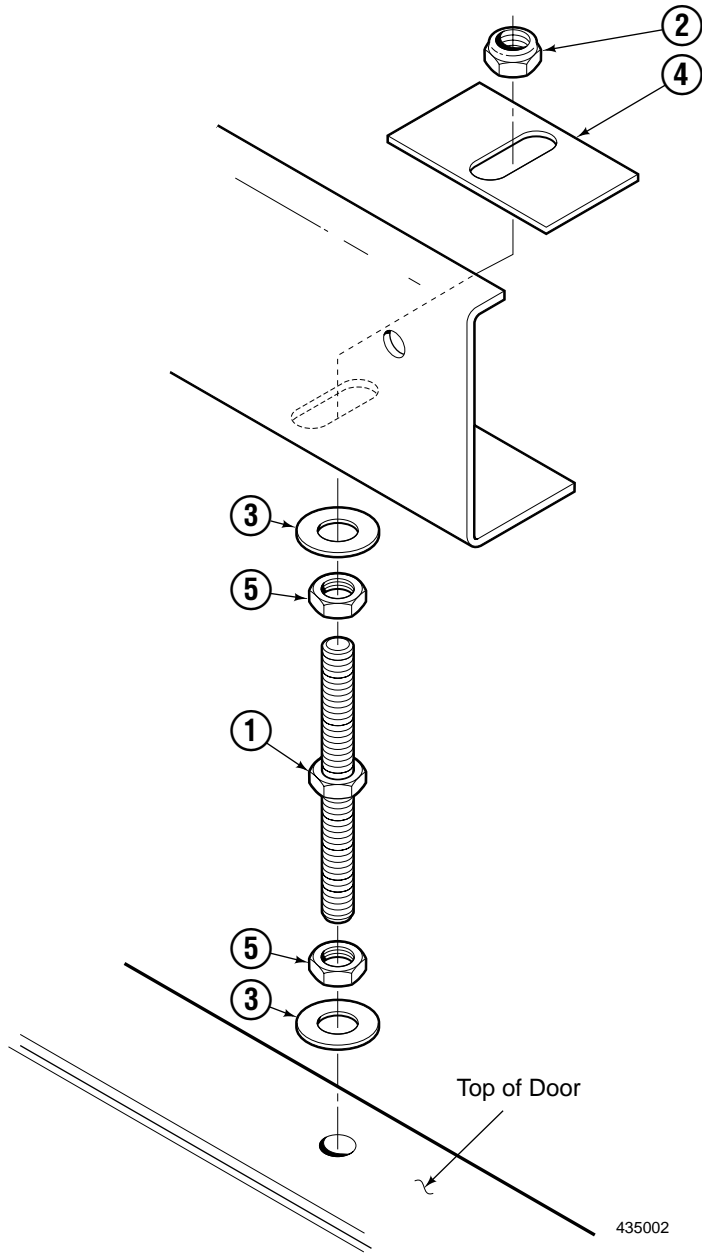
435003

REF	QTY	PART NO.	DESCRIPTION
	1	★	Sliding Door Header Assembly
1	1	-	Door Header
2	1	-	Door Track
3	1	-	Neoprene Stopping Plate
4	1	0366	Black Sliding Door Gasket Retainer, 1-3/8"
5	3" o/c	-	Staple
6	1	0368	Black Sliding Door Gasket (Top), Sanoprene
7	24" o/c	-	Capscrew, 3/8"-16 x 1-3/4", Hex Head
8	24" o/c	-	Lockwasher, External Tooth, 3/8"
9	24" o/c	-	Flat Washer, 3/8"
10	24" o/c	-	T-Nut, 3/8"-16

★ Consult Factory to order parts. Specify Door Size and Serial Number.

B

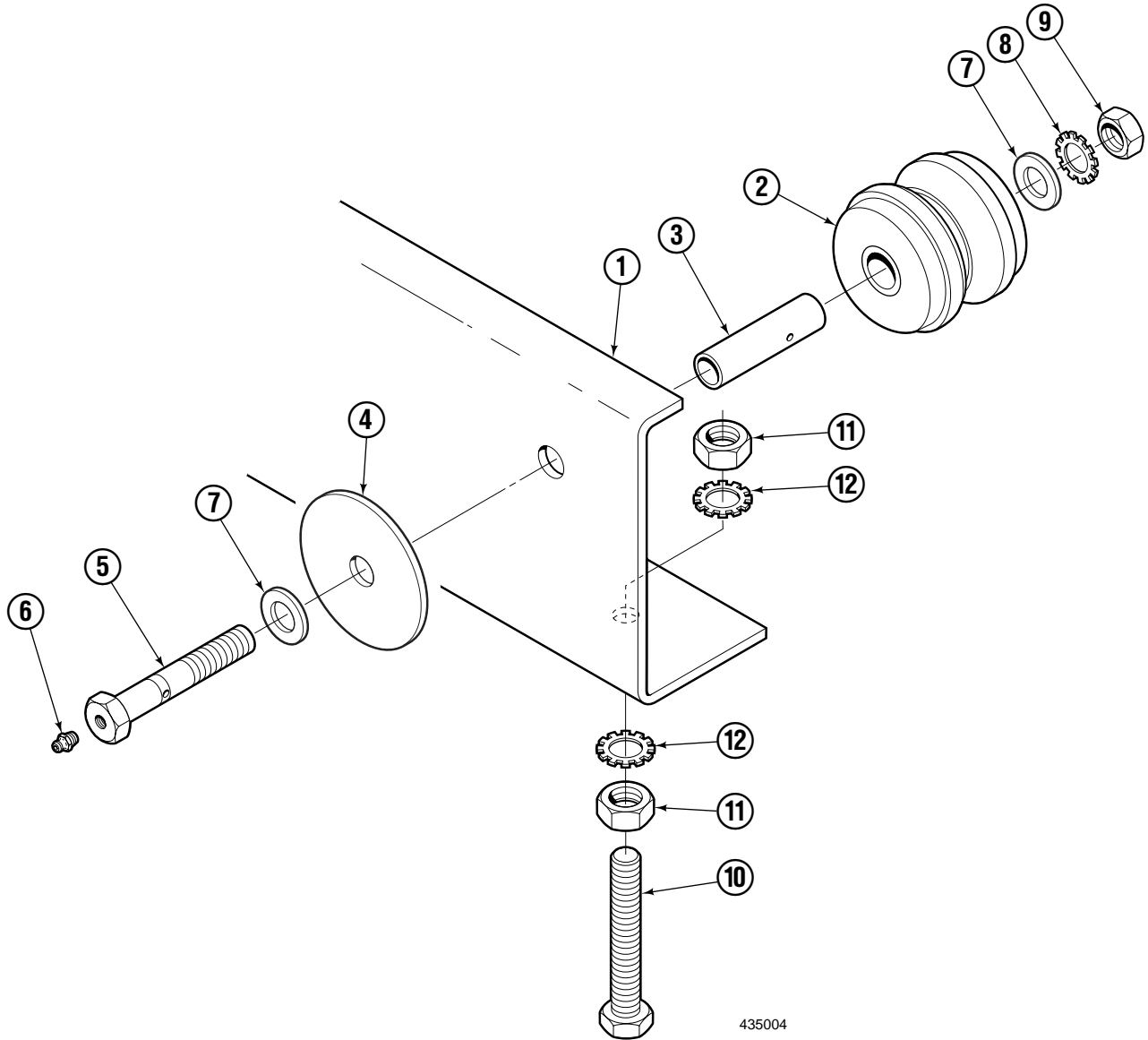
Adjuster Rod Assembly



REF	QTY	PART NO.	DESCRIPTION
	2	1003	Adjuster Rod Assembly
1	1	-	Threaded Stud w/Welded Nut, 3/4"-10 x 7"
2	1	-	Lock Nut, 3/4"-10, Nylon, Thin
3	2	-	Flat Washer, 3/4"
4	1	1605	Slotted Backing Plate
5	2	-	Hex Nut, 3/4"-10

Track Hanger Channel and Track Roller Assembly

Standard Duty

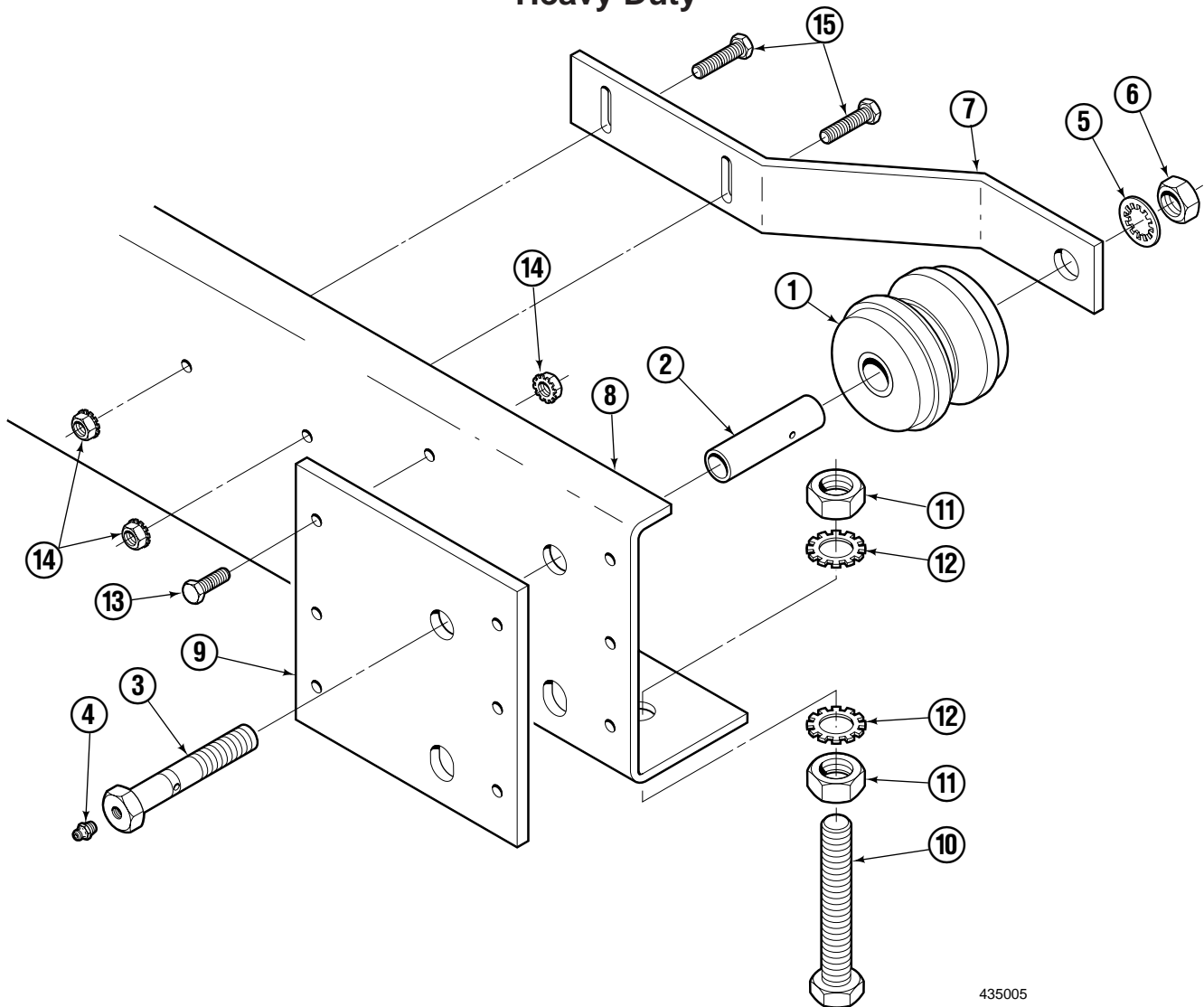


435004

REF	QTY	PART NO.	DESCRIPTION
	1	★	Track Hanger Channel Assembly
1	1	-	10 Ga. HDG Channel
	2	1181	Track Roller Assembly
2	1	1382	V-Groove Steel Roller, 2.94" OD x 2.186" W
3	1	-	Bushing
4	1	-	Fender Washer, 7/16" x 3"
5	1	-	Lubricating Capscrew, w/Grease Fitting
6	1	-	Grease Fitting
7	2	-	Flat Washer, 7/16" SAE
8	1	-	Lockwasher, External Tooth, 7/16"
9	1	-	Finished Hex Nut, 7/16"-14
	2	1000A	Anti-Jump Bolt
10	1	-	Capscrew, 1/2"-13 x 2-1/2", Full Thread
11	2	-	Hex Nut, 1/2"-13
12	2	-	Lockwasher, External Tooth, 1/2"

★ Consult Factory to order parts. Specify Door Size and Serial Number.

C Track Hanger Channel and Track Roller Assembly Heavy Duty



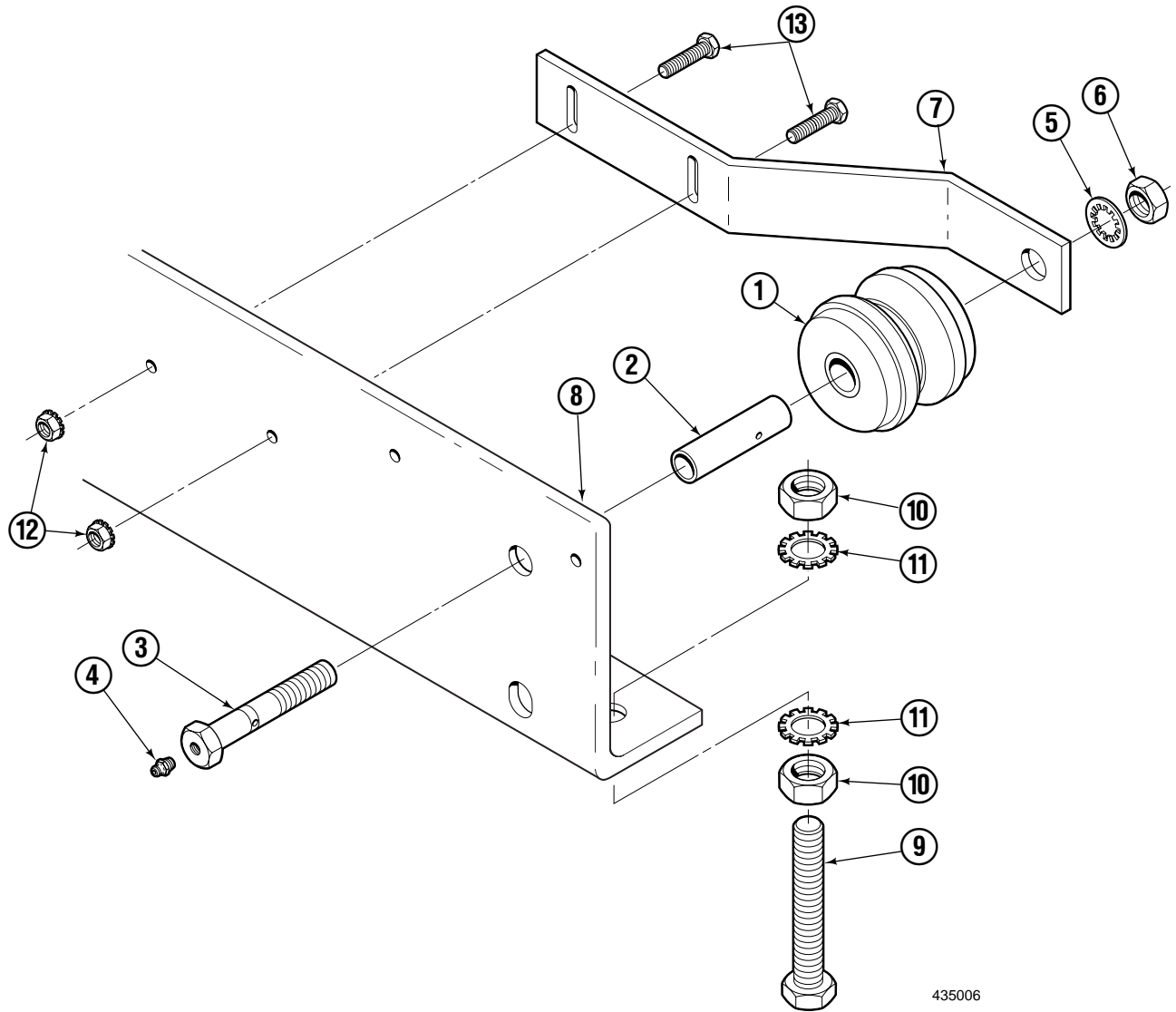
435005

REF	QTY	PART NO.	DESCRIPTION
	1	★	Track Hanger Channel Assembly
	2	1181	Track Roller Assembly
1	1	1382	V-Groove Steel Roller, 2.94" OD x 2.186" W
2	1	-	Bushing
3	1	-	Lubricating Capscrew, w/Grease Fitting
4	1	-	Grease Fitting
5	1	-	Lockwasher, Internal Tooth, 7/16"
6	1	-	Hex Nut, 7/16"-14
7	2	1606	Track Roller Bracket, 10 Ga. HDG
8	1	-	10 Ga. HDG Channel
9	2	1607	Face Plate
	2	1000A	Anti-Jump Bolt
10	1	-	Capscrew, 1/2"-13 x 2-1/2", Full Thread
	2	-	Hex Nut, 1/2"-13
12	2	-	Lockwasher, External Tooth, 1/2"
13	8	-	Capscrew, 1/4"-20 x 3/4"
14	12	-	Lock Nut w/External Tooth, 1/4"-20
15	4	-	Capscrew, 1/4"-20 x 1"

★ Consult Factory to order parts. Specify Door Size and Serial Number.

Track Hanger Channel and Track Roller Assembly

Extra Heavy Duty



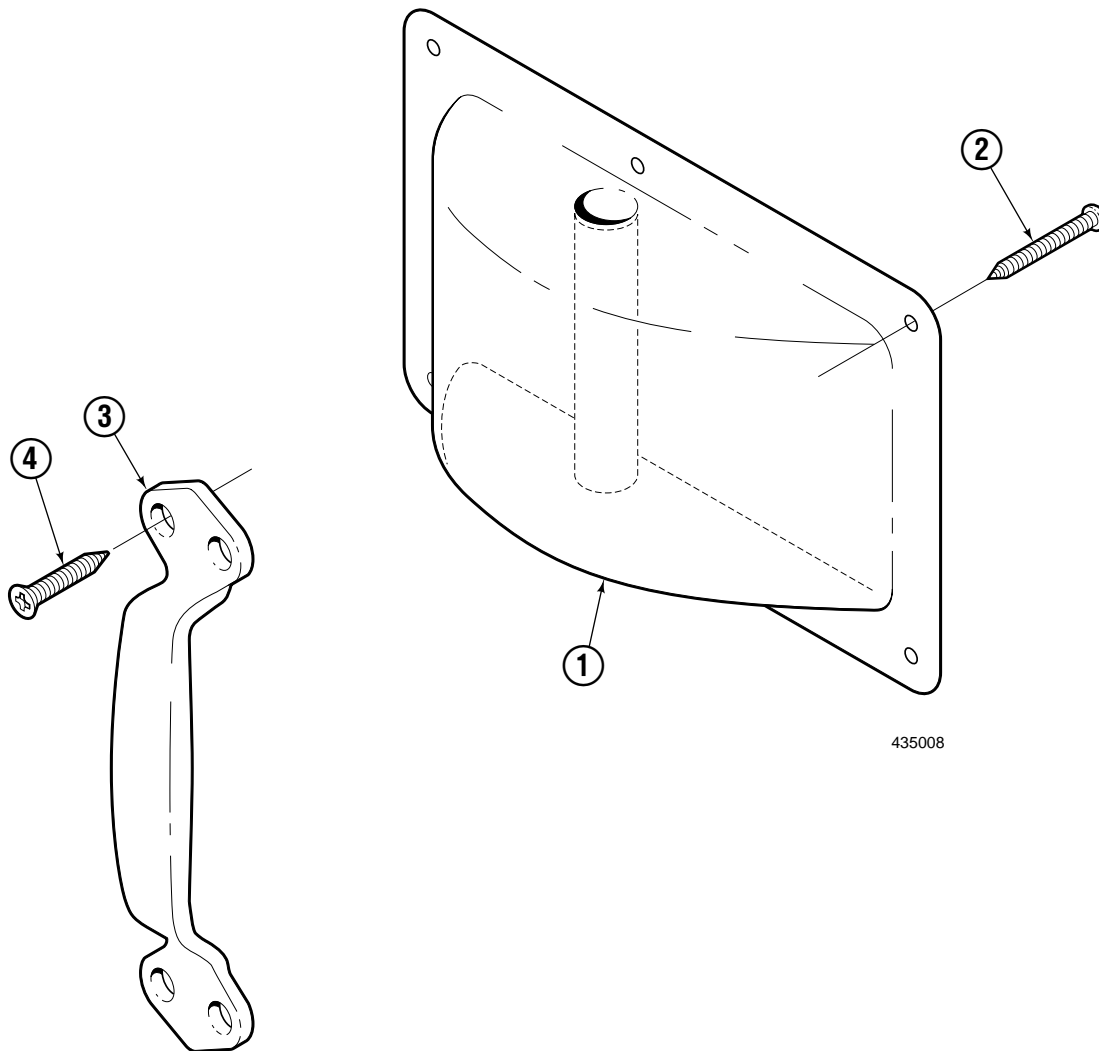
435006

REF	QTY	PART NO.	DESCRIPTION
	1	★	Track Hanger Channel Assembly
	2	1181	Track Roller Assembly
1	1	1382	V-Groove Steel Roller, 2.94" OD x 2.186" W
2	1	-	Bushing
3	1	-	Lubricating Capscrew, w/Grease Fitting
4	1	-	Grease Fitting
5	1	-	Lockwasher, Internal Tooth, 7/16"
6	1	-	Hex Nut, 7/16"
7	2	1606	Track Roller Bracket, 10 Ga. HDG
8	1	-	1/4" Steel Angle
	2	1000A	Anti-Jump Bolt
9	1	-	Capscrew, 1/2"-13 x 2-1/2", Full Thread
10	2	-	Hex Nut, 1/2"-13
11	2	-	Lockwasher, External Tooth, 1/2"
12	4	-	Lock Nut w/External Tooth, 1/4"-20
13	4	-	Capscrew, 1/4"-20 x 1"

★ Consult Factory to order parts. Specify Door Size and Serial Number.

D

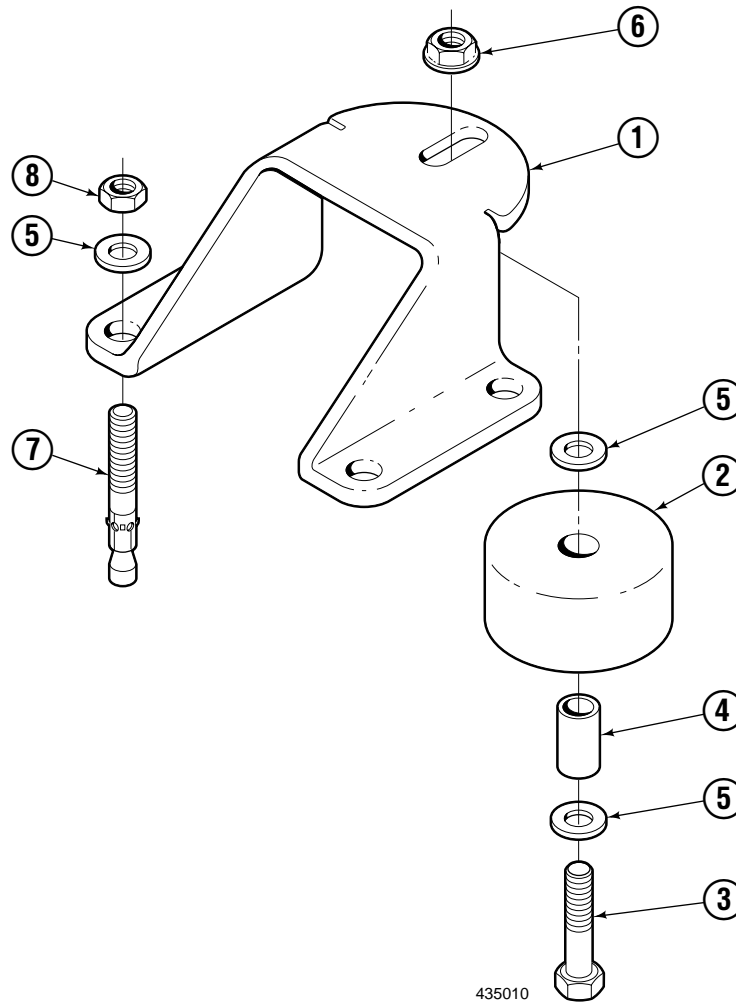
Door Handle Assembly



435008

REF	QTY	PART NO.	DESCRIPTION
1	1	0383	Interior Pull Handle, Zinc Plated
2	6	-	Sheet Metal Screw, Phillips Pan Hd, #8 x 3/4"
3	1	0321	Exterior Handle, Chrome Plated
4	4	-	Sheet Metal Screw, Phillips FH, #14 x 1-1/2"

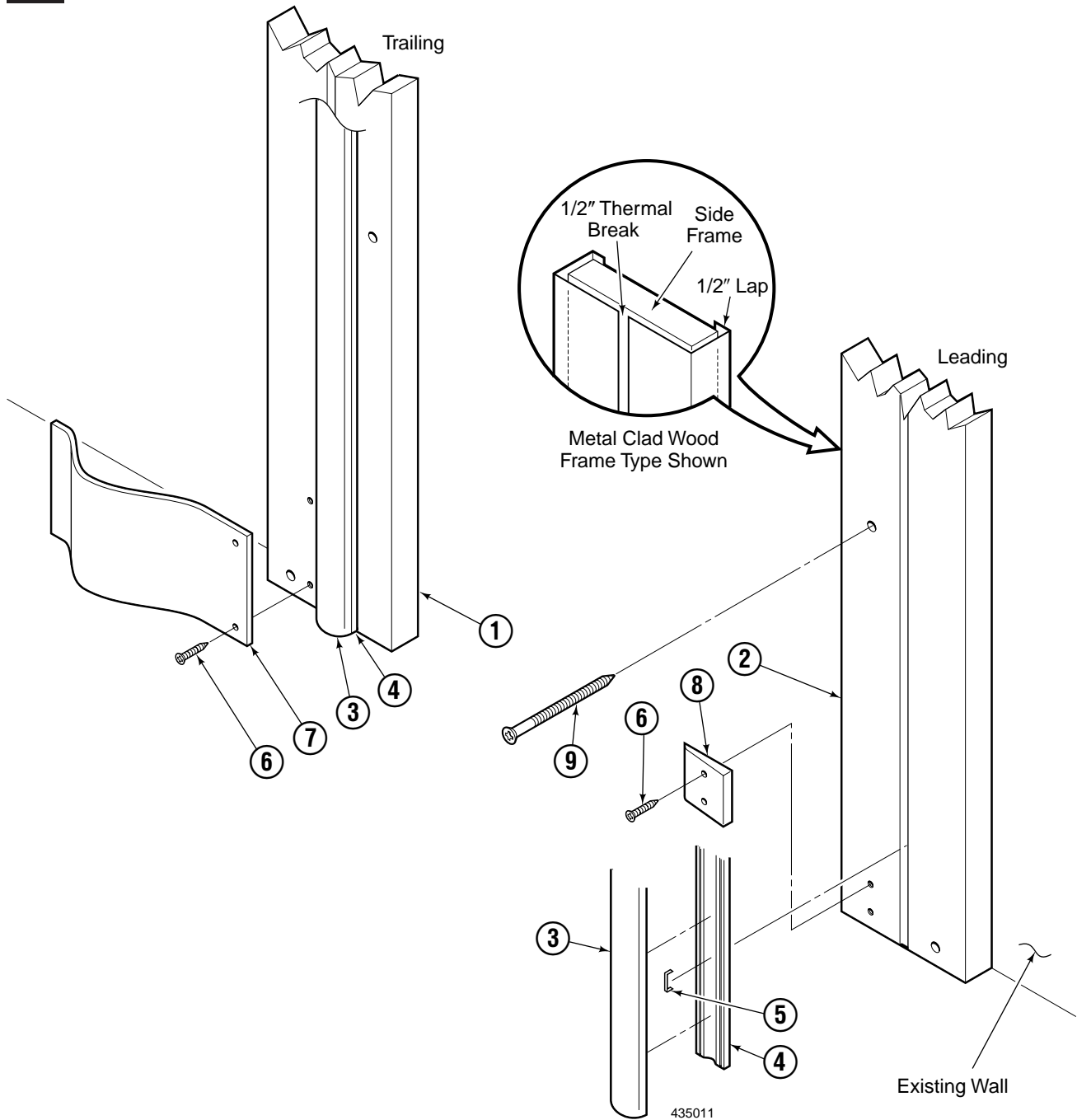
Stay Roller Assembly



REF	QTY	PART NO.	DESCRIPTION
	2	0944	Stay Roller Assembly
1	1	-	Stay Roller Bracket HDG
2	1	-	UHMW Stay Roller, 5/8" ID x 3" OD x 1-3/4"
3	1	-	Capscrew, 3/8"-16 x 2-3/4"
4	1	-	Oilite Bushing, 5/8" OD x 3/8" ID x 1-7/8"
5	6	-	Flat Washer, 3/8"
6	4	-	Lock Nut, Serrated Flange, 3/8"-16
7	4	-	Concrete Anchor, 3/8"-16 x 2-3/4"
8	4	-	Finished Hex Nut, 3/8"-16

F

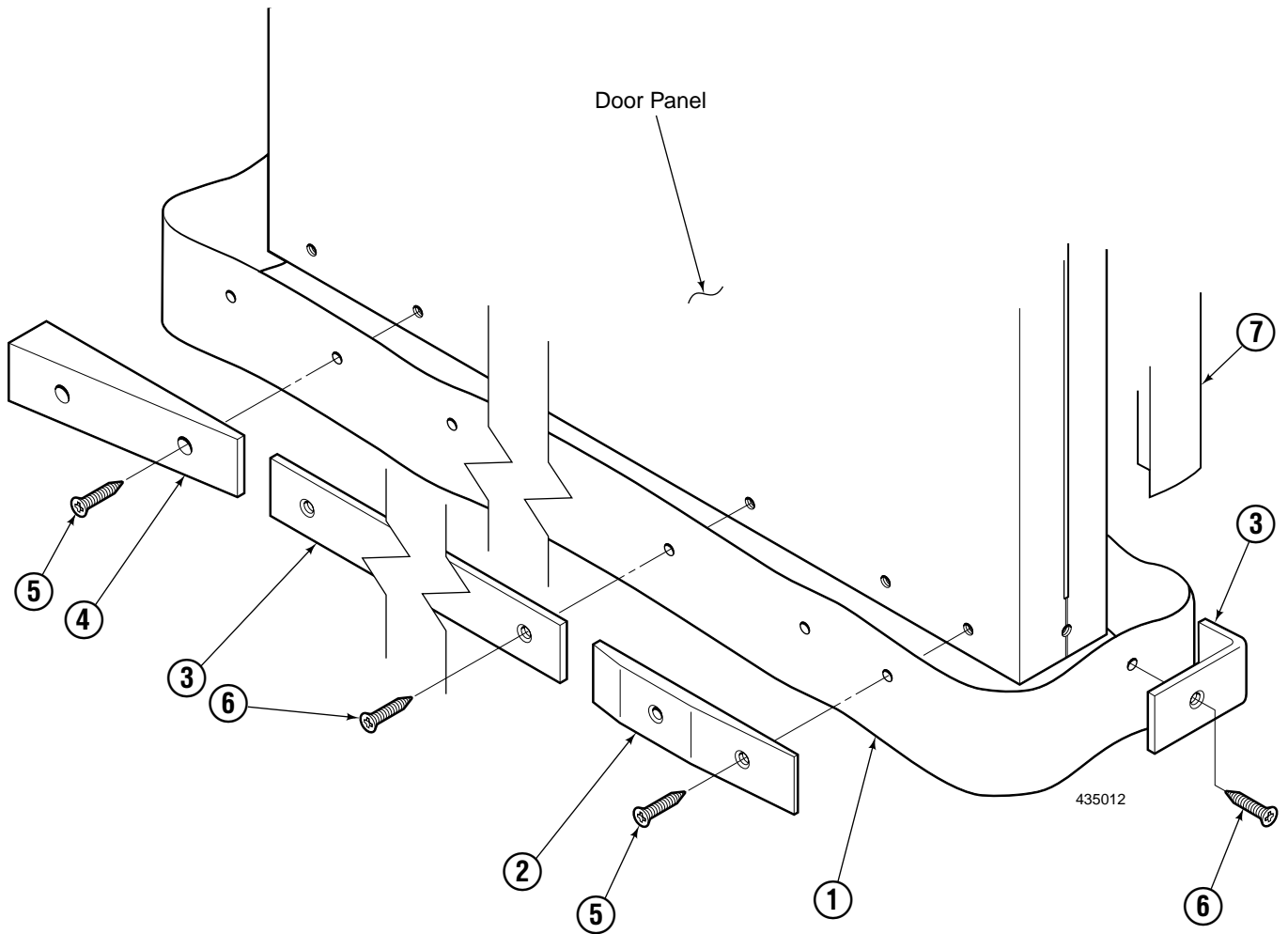
Side Frames and Gasket



REF	QTY	PART NO.	DESCRIPTION
1	1	-	Side Frame, Trailing
2	1	-	Side Frame, Leading
3	2	0368	Black Sliding Door Gasket, Sanoprene
4	2	0366	Black Sliding Door Gasket Retainer, PVC
5	3" o/c	-	Staple
6	4	-	Sheet Metal Screw, Phillips Flat Head, #14 x 1"
7	1	0658	Black HTP 220 Spring Bump Out
8	1	0742	Black UHMW Door Wedge
9	24" o/c	-	Sheet Metal Screw, Phillips Flat Head, #18 x 4"

Note: Specify Frame type (metal clad wood or PVC clad polyurethane), size, and finish, when ordering parts. Contact the factory if necessary.

Door Snubber Assembly

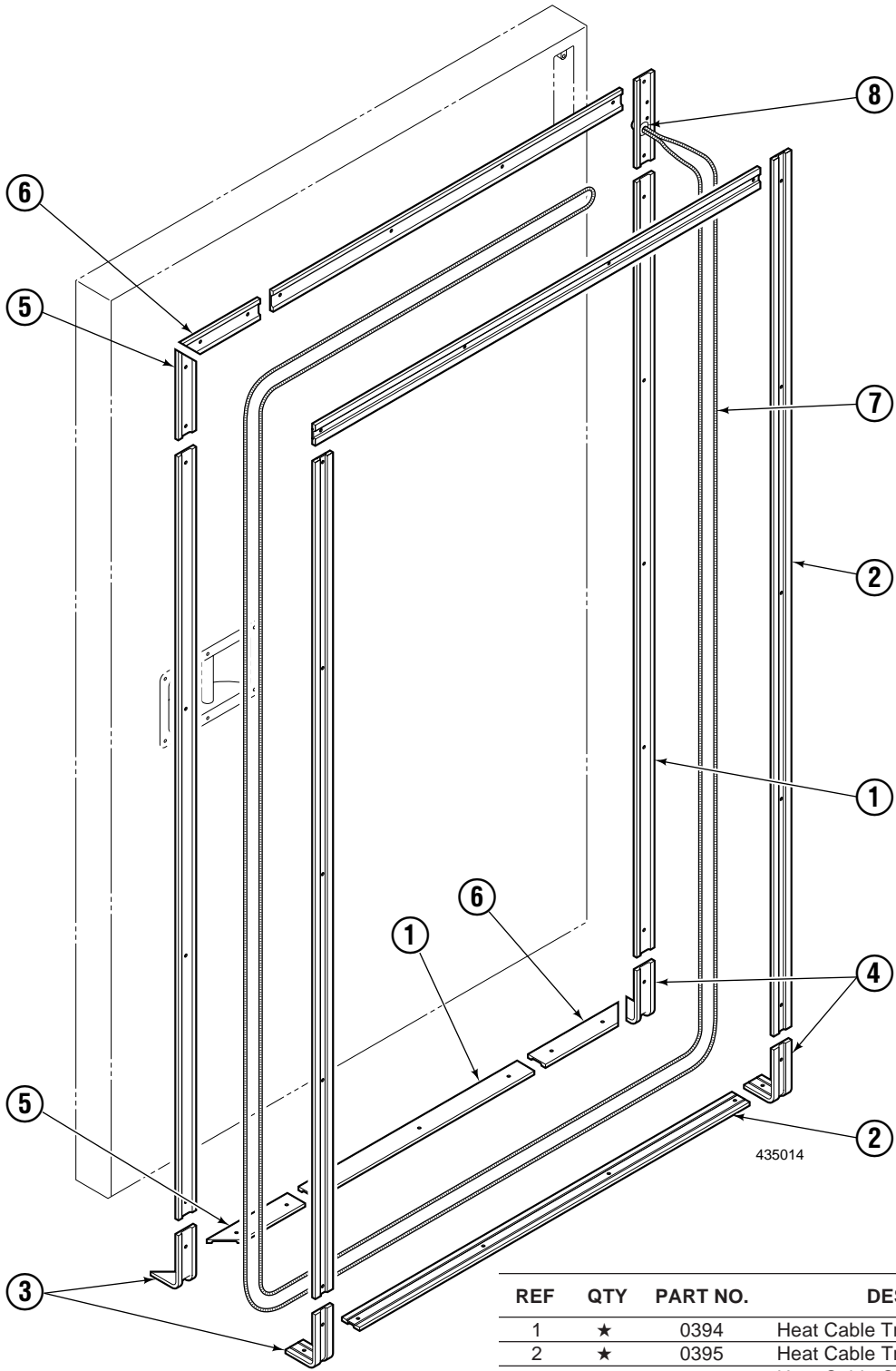


REF	QTY	PART NO.	DESCRIPTION
1	★	0631	Black Sweep Gasket, Neoprene, 3" Bulk
2	1	0618A	Black UHMW Leading Edge Snubber
3	★	0605	Black Roller Strip, HTP 220, 2" Bulk
4	1	0618B	Black UHMW Trailing Edge Snubber
5	4	-	Sheet Metal Screw, Phillips FH, #12 x 1-1/2"
6	10" o/c	-	Sheet Metal Screw, Phillips FH, #10 x 1-1/2"
7	★	1062	T-Moulding, White
	★	1063	T-Moulding, Gray

★ Specify Door Size when ordering parts.

H

Heat Cable Assembly



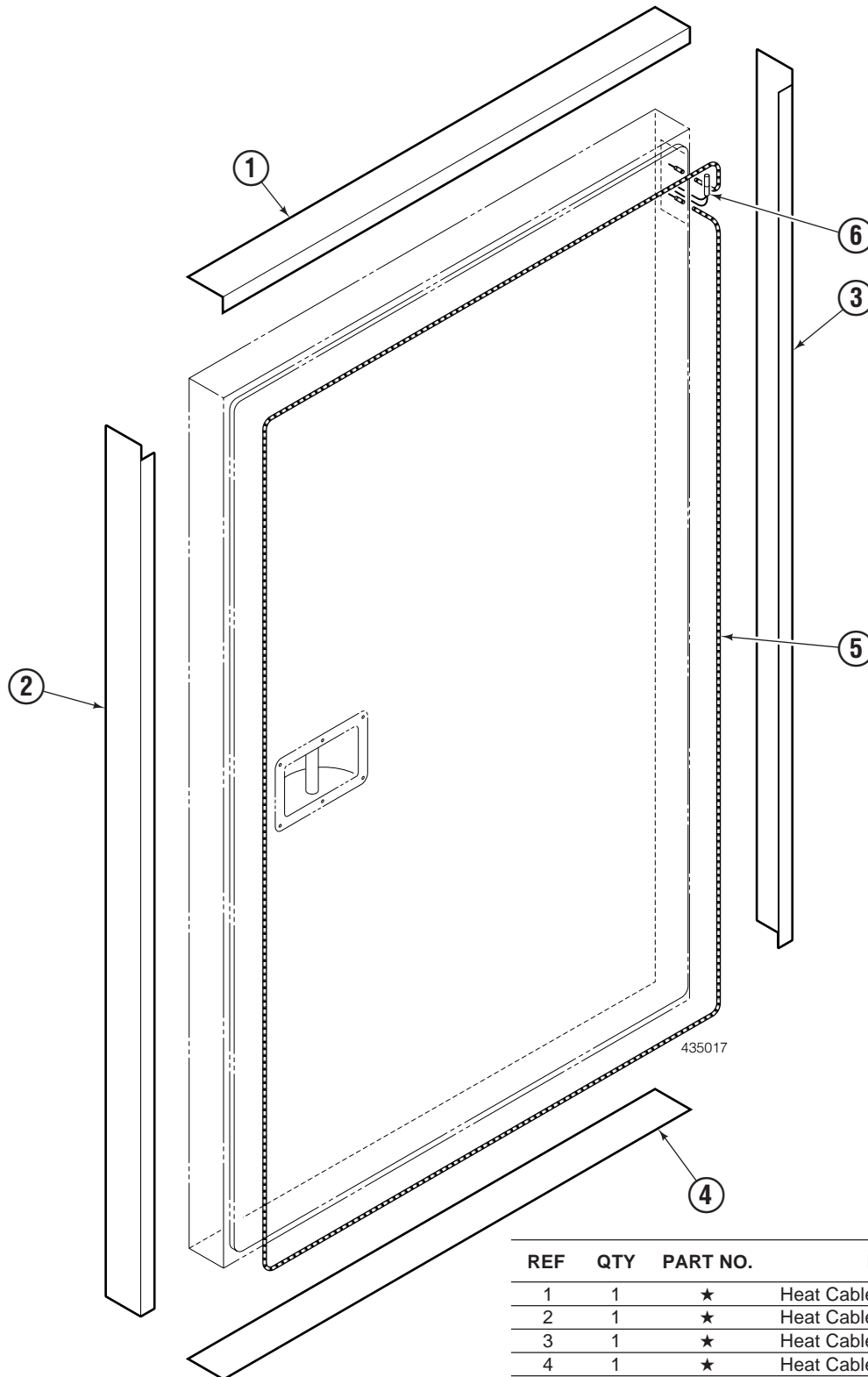
REF	QTY	PART NO.	DESCRIPTION
1	★	0394	Heat Cable Track-Base (bulk material)
2	★	0395	Heat Cable Track-Top (bulk material)
3	1	1609	Heat Cable Corner-Base & Top Bend-Right
4	1	1608	Heat Cable Corner-Base & Top Bend-Left
5	2	1611	Heat Cable Corner-Base Miter-Right
6	2	1612	Heat Cable Corner-Base Miter-Left
7	1	0943	Heat Cable Loop
8	1	0718	Thermostat

★ Specify Door Size or material length when ordering parts.

Note: Specify Door Size and Type (Single or Bi-Parting) when ordering parts.



Heat Cable Assembly Rapid Replace Type



REF	QTY	PART NO.	DESCRIPTION
1	1	★	Heat Cable Cover-Top
2	1	★	Heat Cable Cover-Trailing Edge
3	1	★	Heat Cable Cover-Leading Edge
4	1	★	Heat Cable Cover-Bottom
5	1	1503	Heat Cable Loop
6	1	0171	Thermostat

★ Specify Door Size or material length when ordering parts.
 Note: Specify Door Size and Type (Single or Bi-Parting) when ordering parts.

R-PLUS

COLD STORAGE DOORS

A Division of Imperial Manufacturing, Inc.

2271 NE 194th • Portland, Oregon 97230

Toll Free (800) 238-4093 • Phone (503) 665-5539

Fax (503) 665-2929