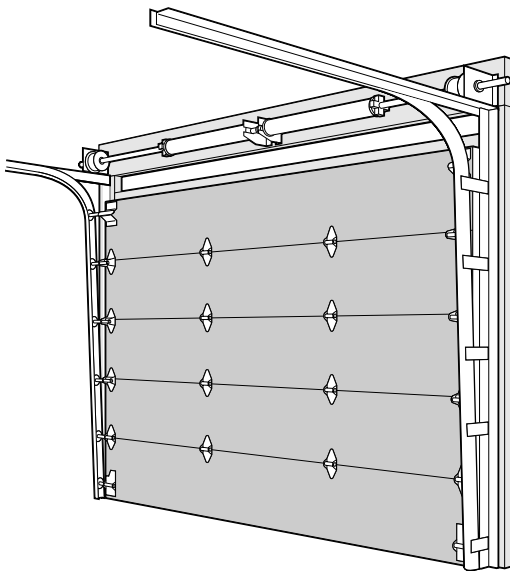


Standard Lift Vertical Door

Manual operated ♦ Cooler or Freezer



R-Plus Manual Vertical Doors are specially designed and custom built for high performance.

Features

- ♦ **QUIET OPERATION**
- ♦ **EASY INSTALLATION** - job-site adjustment flexibility
- ♦ **HEAVY DUTY TRACK ASSEMBLY & HARDWARE**
- ♦ **CLASS 1 CFC FREE FOAM INSULATION**
- ♦ **WATER RESISTANT SIDE FRAMES** - PVC insulated base
- ♦ **BOTTOM SAFETY EDGE** - provides instant stop and reverse upon contact
- ♦ **TORSION SPRING COUNTERBALANCE** - rated at 20,000 cycles
- ♦ **HEAT CABLES** - freezer models have cables at all outer edges and between sections of door panels
- ♦ **EASY GASKET REPLACEMENT**

